

Архангельск (8182)63-90-72
Астана (7172)727-132
Астрахань (8512)99-46-04
Барнаул (3852)73-04-60
Белгород (4722)40-23-64
Брянск (4832)59-03-52
Владивосток (423)249-28-31
Волгоград (844)278-03-48
Вологда (8172)26-41-59
Воронеж (473)204-51-73
Екатеринбург (343)384-55-89
Иваново (4932)77-34-06

Ижевск (3412)26-03-58
Иркутск (395)279-98-46
Казань (843)206-01-48
Калининград (4012)72-03-81
Калуга (4842)92-23-67
Кемерово (3842)65-04-62
Киров (8332)68-02-04
Краснодар (861)203-40-90
Красноярск (391)204-63-61
Курск (4712)77-13-04
Липецк (4742)52-20-81
Киргизия (996)312-96-26-47

Магнитогорск (3519)55-03-13
Москва (495)268-04-70
Мурманск (8152)59-64-93
Набережные Челны (8552)20-53-41
Нижний Новгород (831)429-08-12
Новокузнецк (3843)20-46-81
Новосибирск (383)227-86-73
Омск (3812)21-46-40
Орел (4862)44-53-42
Оренбург (3532)37-68-04
Пенза (8412)22-31-16
Казахстан (772)734-952-31

Пермь (342)205-81-47
Ростов-на-Дону (863)308-18-15
Рязань (4912)46-61-64
Самара (846)206-03-16
Санкт-Петербург (812)309-46-40
Саратов (845)249-38-78
Севастополь (8692)22-31-93
Симферополь (3652)67-13-56
Смоленск (4812)29-41-54
Сочи (862)225-72-31
Ставрополь (8652)20-65-13

Сургут (3462)77-98-35
Тверь (4822)63-31-35
Томск (3822)98-41-53
Тула (4872)74-02-29
Тюмень (3452)66-21-18
Ульяновск (8422)24-23-59
Уфа (347)229-48-12
Хабаровск (4212)92-98-04
Челябинск (351)202-03-61
Череповец (8202)49-02-64
Ярославль (4852)69-52-93

<https://autop.nt-rt.ru> || aft@nt-rt.ru

Major 4030

Electro-hydraulic 4-post lift, 4 t capacity



Application

- Check-in
- Repair and maintenance
- Wheel alignment
- Testing

Approvals / recommendations

- Jaguar
- Landrover
- Renault
- Volvo

Description:

Posts:

- Integrated eccentric brake system
- Emergency stop valve
- Obstruction system
- Pneumatic parking system in height adjustable ratchets
- Pump unit with immersed motor and control unit on rear left post
- Pushbutton control unit with alarm signal
- Hydraulic cylinder under left platform
- Lifting and lowering by means of cables
- Emergency lowering valve

Platforms:

- One moveable platforms as standard
- Platforms prepared for AUTOPSTENHOJ scissor jack

Standard colours:

- Platforms & posts: RAL 7016 – grey
- Ramps: RAL 3020 – red

Versions:

- Available with different voltages
- Drive-on ramps and stops for surface-mounting, alternatively drive-over ramps for recessed installation
- S = flush platforms
- WL = with front recesses for turn tables and rear side slip plates, center cover plate between recesses and side slip plates
- G = galvanized platforms
- 42 = 4,200 mm platforms
- 47 = 4,700 mm platforms
- 51 = 5,100 mm platforms

Optional extras:

- Set of expansion bolts
- Extra control unit
- LED-lighting set
- Set of two cover plates for recesses
- Set of two 385 mm ramp extensions
- Set of two platform extensions (0.5 m)

Special colours available on request!

Technical data	
Lifting capacity	4,000 kg
Lifting height	1,670 mm
Working height	1,810 mm
Lifting / lowering time	Standard: 24 / 26 sec. D: 16 / 26 sec.
Pump unit	Standard: 3 kW D: 2 x 3 kW
Voltage	3x230 / 400V – 50 Hz – 25 / 16 A

Platforms	
Total length	5,560 / 5,980 mm
Usable length of platform	4,680 / 5,100 mm
Wheel base, min. - max.	variable
Platform width	550 mm
Distance between platforms	805 – 1,285 mm
Min. height	140 / 160 mm
Width between posts	3,000 mm
Total width - outer edges base plates	3,422 mm
Total height	2,233 mm

Also available as inspection lifts:

As standard equipped with re-inforced posts and larger cable diameter for intensive usage in inspection centres.
As standard delivered with:

P = play detector (pneumatically operated for both lateral and rotational movement, for axle load up to 3 t), operation with wireless hand lamp

Option:

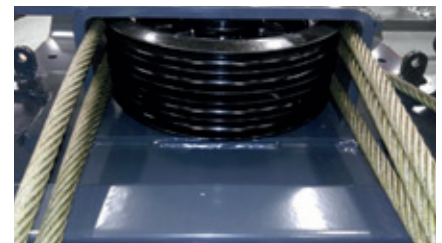
D = double pump unit for quicker lifting time. Control unit on front left post



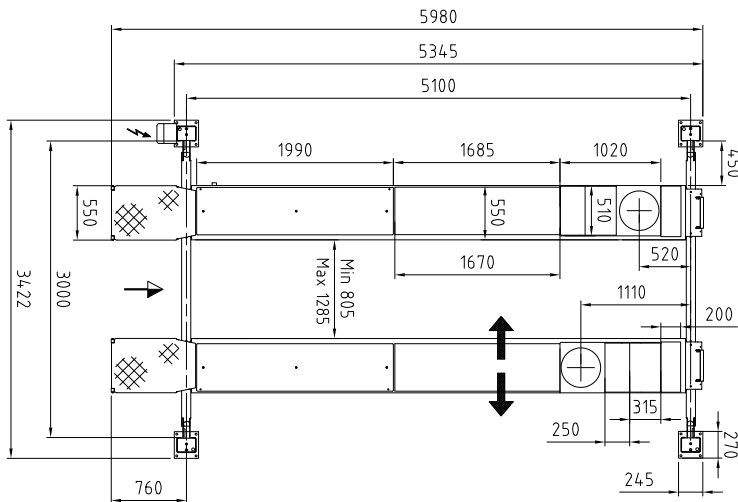
Reinforced posts position



Control unit and power pack on rear left post



Pulley with steel cable



Архангельск (8182)63-90-72
Астана (7172)727-132
Астрахань (8512)99-46-04
Барнаул (3852)73-04-60
Белгород (4722)40-23-64
Брянск (4832)59-03-52
Владивосток (423)249-28-31
Волгоград (844)278-03-48
Вологда (8172)26-41-59
Воронеж (473)204-51-73
Екатеринбург (343)384-55-89
Иваново (4932)77-34-06

Ижевск (3412)26-03-58
Иркутск (395)279-98-46
Казань (843)206-01-48
Калининград (4012)72-03-81
Калуга (4842)92-23-67
Кемерово (3842)65-04-62
Киров (8332)68-02-04
Краснодар (861)203-40-90
Красноярск (391)204-63-61
Курск (4712)77-13-04
Липецк (4742)52-20-81
Киргизия (996)312-96-26-47

Магнитогорск (3519)55-03-13
Москва (495)268-04-70
Мурманск (8152)59-64-93
Набережные Челны (8552)20-53-41
Нижний Новгород (831)429-08-12
Новокузнецк (3843)20-46-81
Новосибирск (383)227-86-73
Омск (3812)21-46-40
Орел (4862)44-53-42
Оренбург (3532)37-68-04
Пенза (8412)22-31-16
Казахстан (772)734-952-31

Пермь (342)205-81-47
Ростов-на-Дону (863)308-18-15
Рязань (4912)46-61-64
Самара (846)206-03-16
Санкт-Петербург (812)309-46-40
Саратов (845)249-38-78
Севастополь (8692)22-31-93
Симферополь (3652)67-13-56
Смоленск (4812)29-41-54
Сочи (862)225-72-31
Ставрополь (8652)20-65-13

Сургут (3462)77-98-35
Тверь (4822)63-31-35
Томск (3822)98-41-53
Тула (4872)74-02-29
Тюмень (3452)66-21-18
Ульяновск (8422)24-23-59
Уфа (347)229-48-12
Хабаровск (4212)92-98-04
Челябинск (351)202-03-61
Череповец (8202)49-02-64
Ярославль (4852)69-52-93